

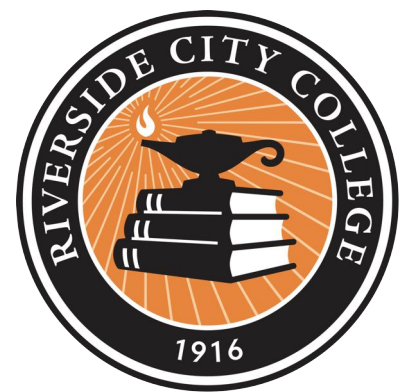


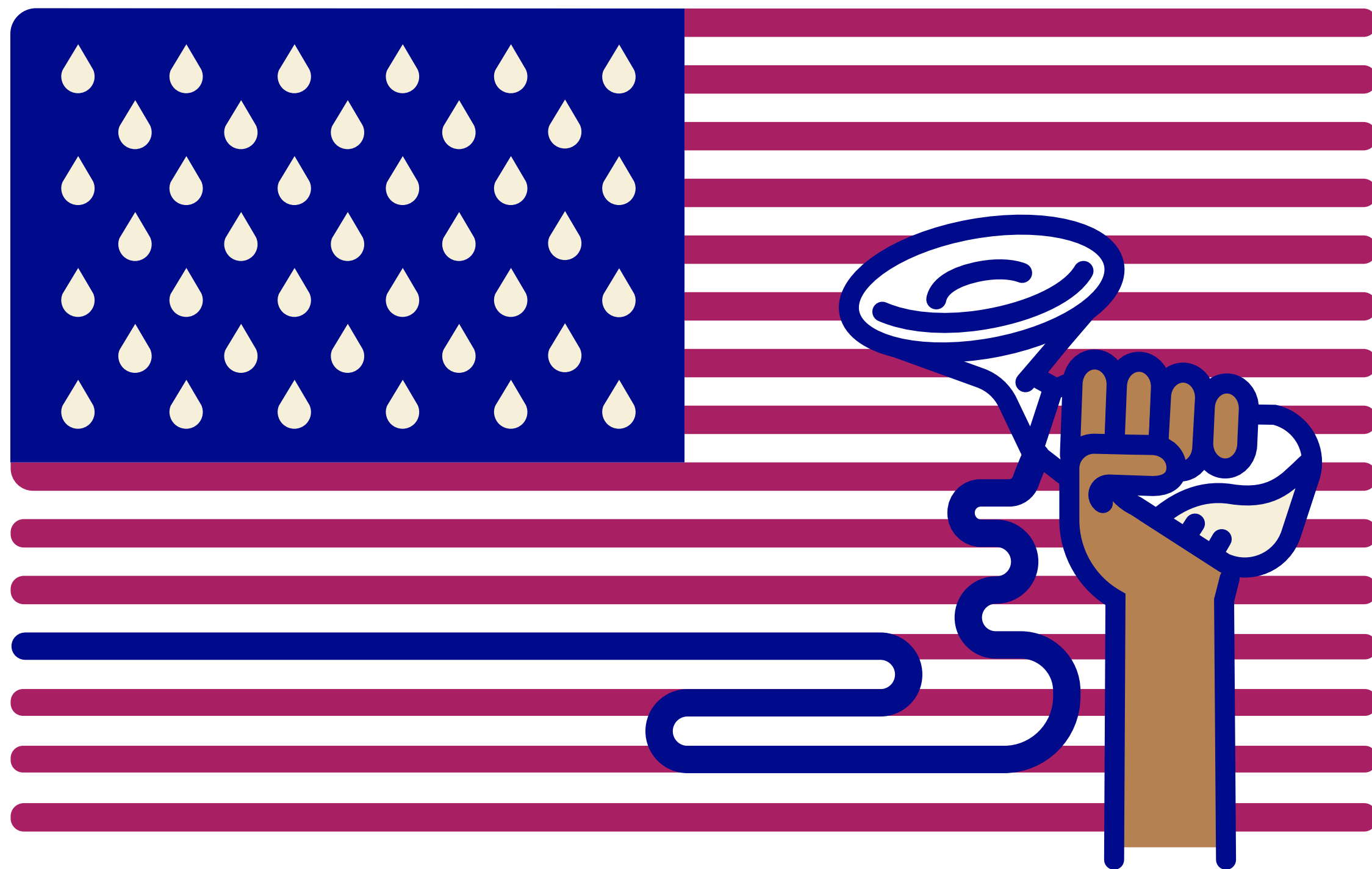
mamava[®]

Mission

To create a healthier society through a changed cultural perception of pumping and nursing that affords every woman the opportunity to nurse her child regardless of her circumstances.

We can't move our mission forward without partners like you.





Breast in Class Legislation

California has progressive lactation laws. Legislation effective 1/1/2020, [AB 2785](#) & [SB 142](#)

- ★ Lactation accommodation shall be available to a student whenever a student is required to be on campus
- ★ Upon construction of a new campus, expansion or renovation in excess of \$5 million shall provide a sink.
- ★ The space must be free from intrusion, can't be a bathroom, and must include an electrical outlet, a chair, and a surface for a pump. .
- ★ SB 142 Must have a written [lactation accommodation policy](#)
- ★ AB 2785 shall be implemented by California Community Colleges and California State Universities by January 1, 2020

Single Parent Students

Doubled last 2 decades

*1.8 million to 3.5 million

*77.6% are female

*66.2% are Pell Grant Recipients

*48.1% are enrolled in Community Colleges

Barriers faced by student-mothers

Lack of breastfeeding policies

Only 3.6% of the institutions surveyed had an official policy

Lack of designated spaces

Only .39 spaces per 1,000 students

“Albrecht Wang Spatz 2017 Call to Action Lactating Students”



Success story

Clover Park Technical College

Solution

Clover Park Technical College is a community college in Lakewood, Washington. Recognizing the need for their students and staff to have a private lactation space, they enlisted their design students to create the pod graphics.

“From start to finish working with the Mamava team was amazing. Now that we have had the unit for almost six months, I cannot think of ever not having this service for MAMAS. Everyone who visits our student center; community members, staff and students are always so appreciative and impressed with the unit. As I’ve been told, once MAMAS are inside, they feel like they are at the spa and not the student center.”

- Cal Erwin-Svoboda, Director of Student Life at Clover Park Technical College



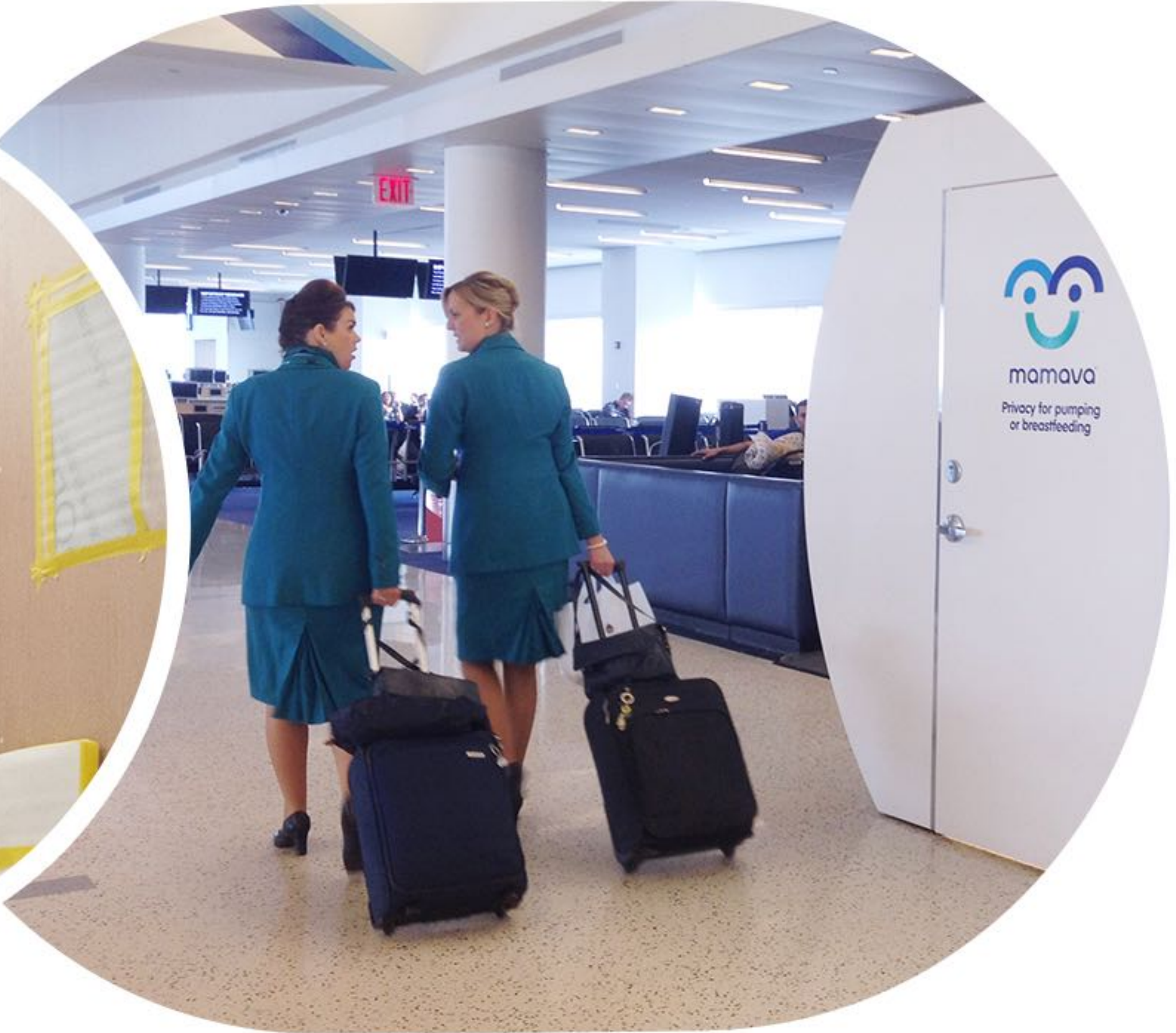
Intentionally Designed for Three Audiences



Moms



Facilities

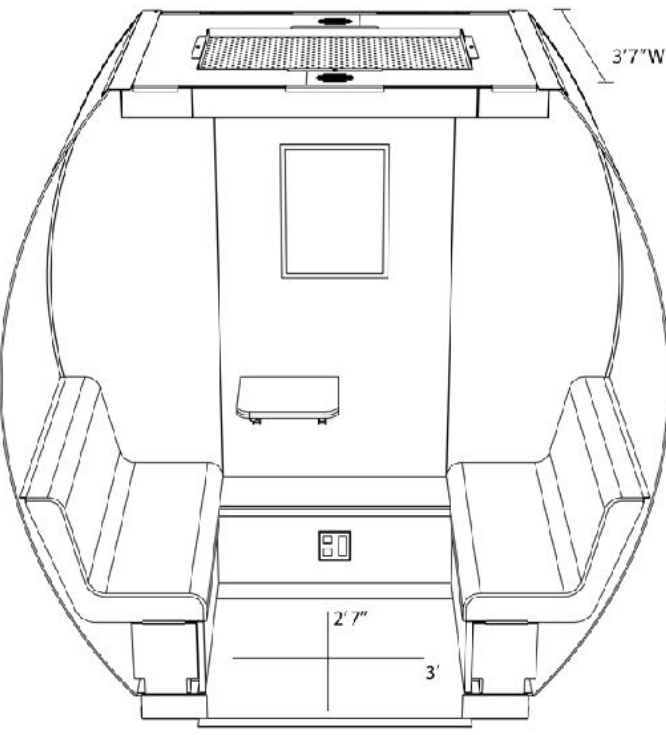


Culture

Our Solutions

mamava Original

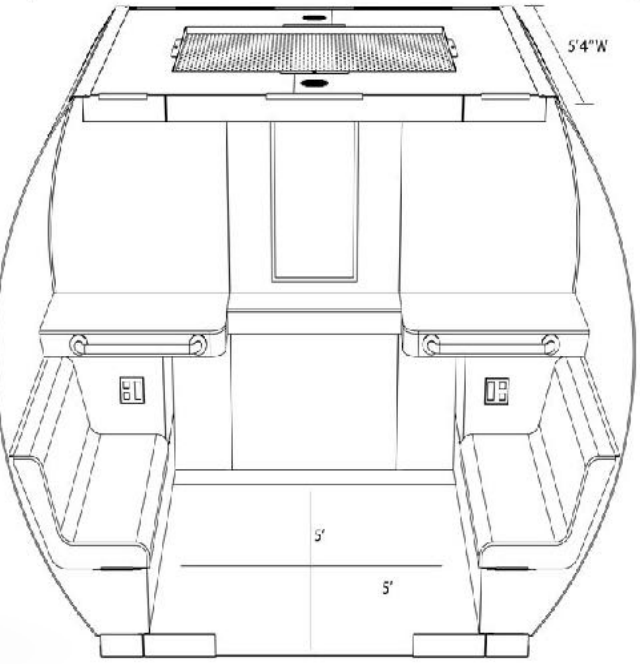
26 sq ft, 474 lbs • 7'3" W x 3'7" D x 7'3" H



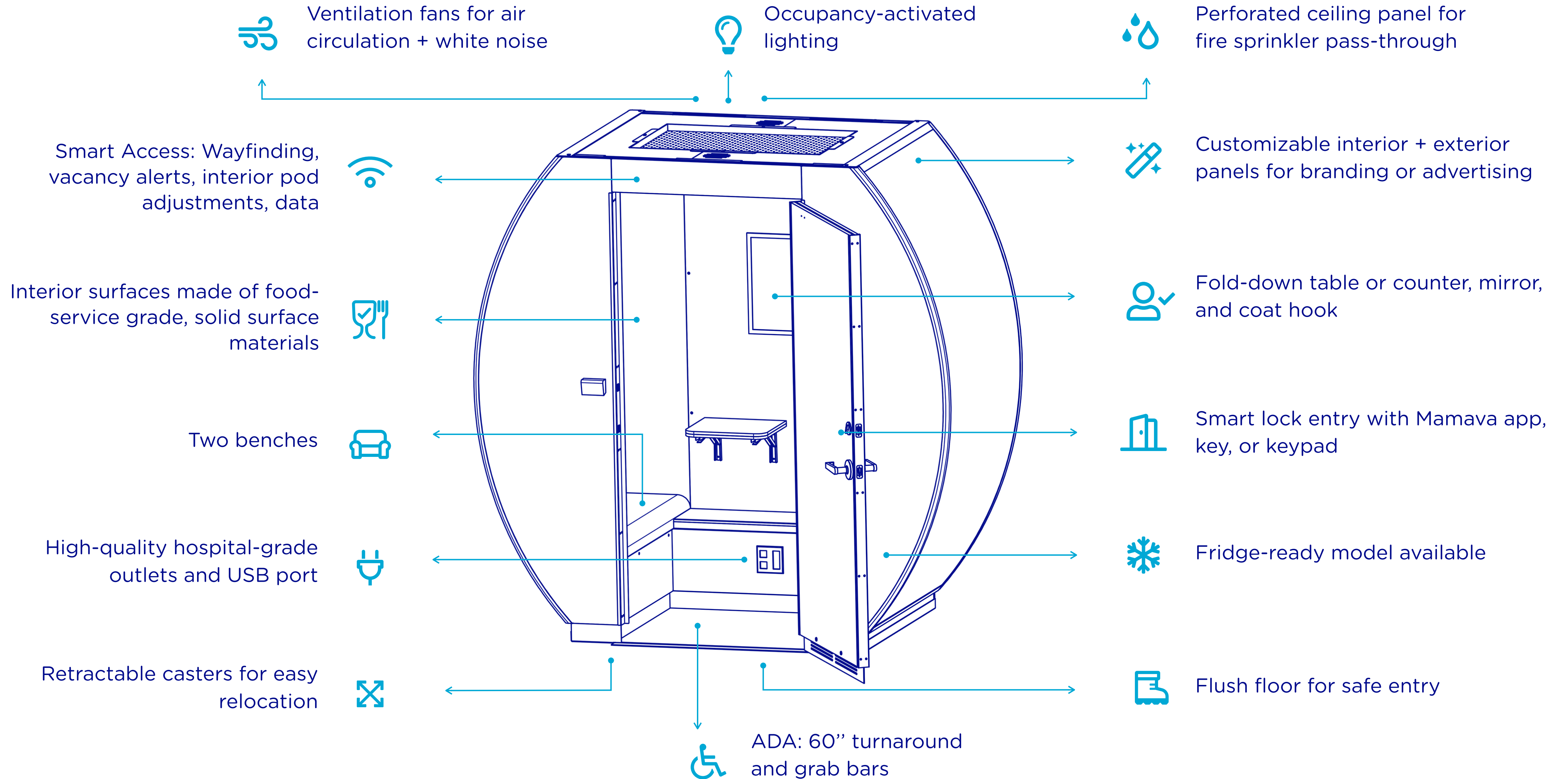
mamava ADA

50 sq ft, 900 lbs • 9'5" W x 5'4" D x 7'3" H

Wheelchair accessibility



Mamava Original & ADA Features



Original + ADA

Mom-Ready the Day It's Delivered



Delivery

Ships in 4-6 weeks

Shipped unassembled

Boxes on a wood pallet

Forklift or pallet jack required

Installation

Takes 2 people \approx 4 hours

8'6" ceiling for assembly

Moves on caster wheels

Installation available





mamava Solo

14.5 sq ft, 390 lbs
5' W x 2'10" D x 7'3" H

Only a 18" door swing

Bench, shelf, mirror, and coat hook

Two (three-prong, 15A) outlets + USB

Occupancy-activated lighting

Occupancy-activated vents
for airflow + white noise

Perforated ceiling panel for passthrough

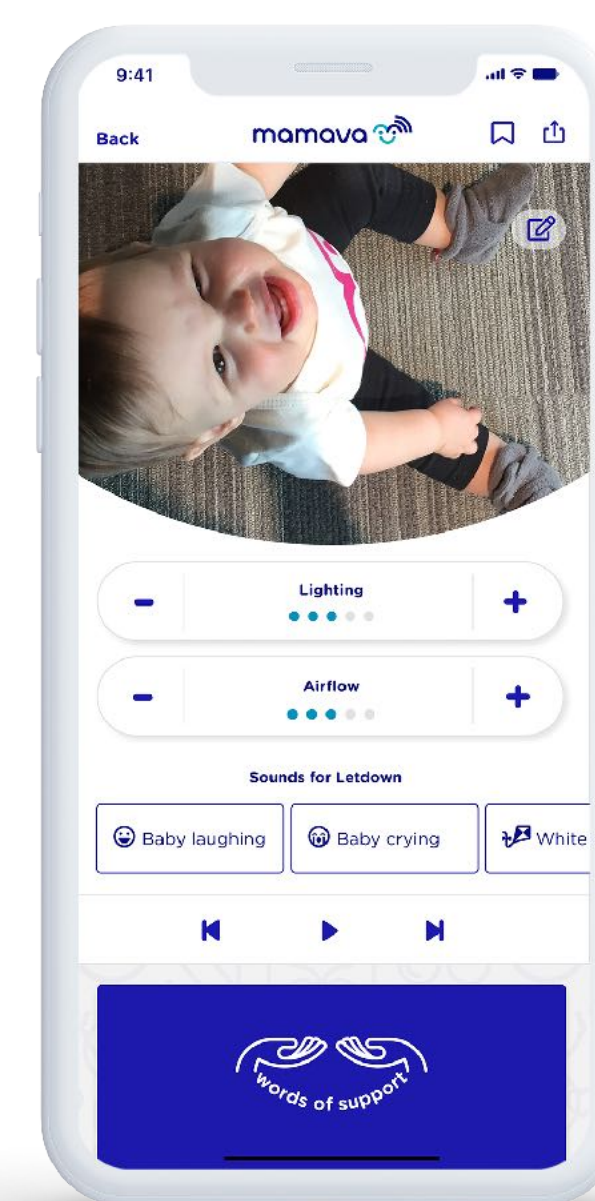
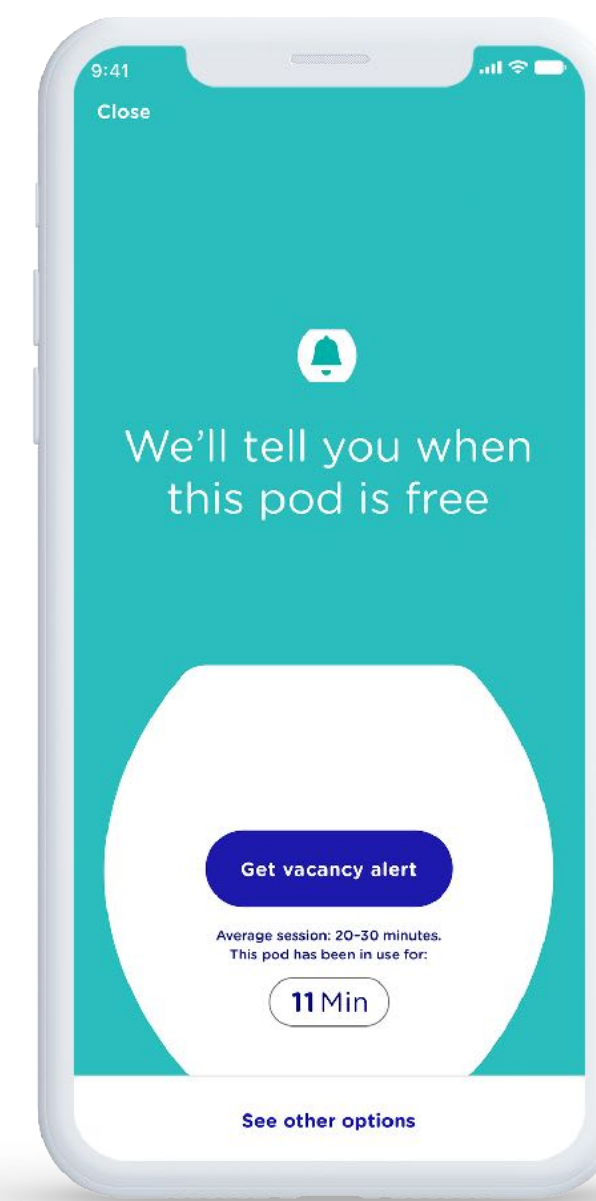
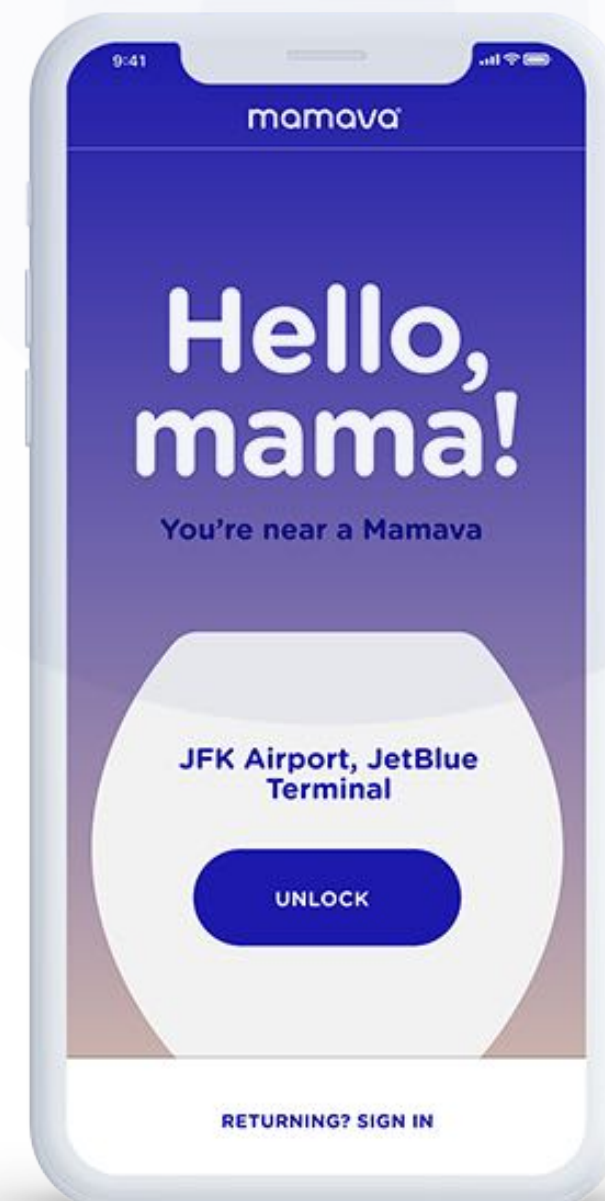
Food service-grade solid-surfaces

Smart access with the Mamava app

Ships quickly, assembles in two hours



Smart Platform Mamava Pod + App



Availability + Entry

Vacancy alerts and simple access for moms.



Wayfinding

A map guides moms to pods (and other lactation spaces).



Pod Adjustments

Dim lighting, adjust airflow. Listen to Sounds for Letdown.



Metrics for You!

Track usage + monitor your pod's interior environment.



Measure the Impact

Track metrics per location to optimize placement and determine capacity planning.

Usage Reports sent at a quarterly cadence.

Qualitative summary provided by Mamava along with user feedback to complement quantitative data.



Supply & Demand (Hartnell College)

The National Institute of Health (NIH) estimates that at least six milk expression stations are needed for every 1000 female. Mamava recommends you evaluate the number of nursing women you have and, as a general rule, consider a single-occupancy lactation accommodation as sufficient to support up to 5 women per day.

Number of female staff

Number of female students

Current accommodations: 1 (faculty & staff only)

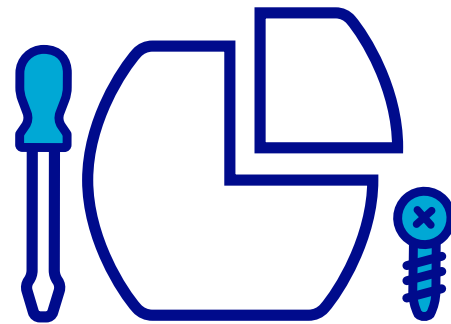
Main Campus, Alisal Campus, King City Campus

Number of Female Employees	Number of Stations Needed
Under 100	1
Approximately 250	2
Approximately 500	3
Approximately 750	4
Approximately 1000	6
For every additional 1000 employees	6 additional stations

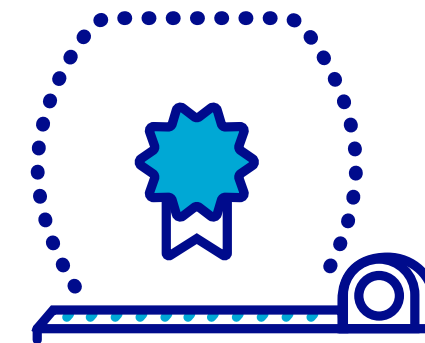
We're with you the entire way



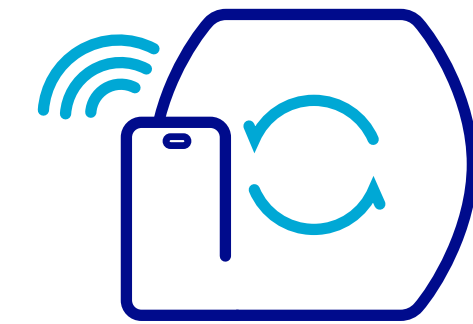
Dedicated Customer Care
Manager + on-call service team



Status updates
during production



Third-party installation
management



Feedback monitoring
(in-app + social)



Thank GAWD for the Mamava pod. A moment of peace in a hectic day.

@lilyweed



Mamava, you are the real MVP. Thank you for helping us traveling mamas!

@lifelutzurious

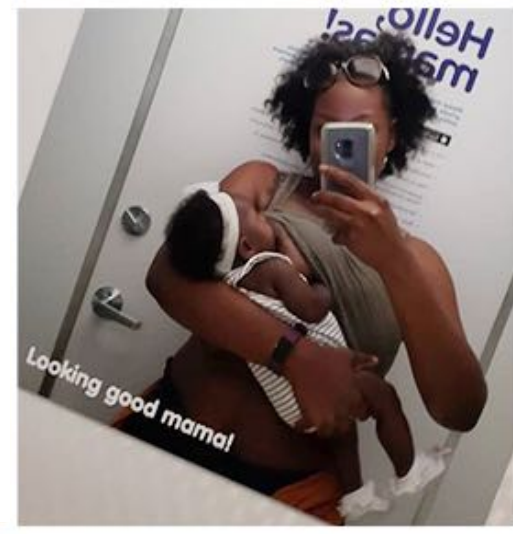


We all agree, that the Mamava pods are a dream!

@kylelynntucci

Such a relaxing place to nurse with complete privacy. Will definitely be on the hunt for more Mamava pods during our travels.

@Trippinmomma



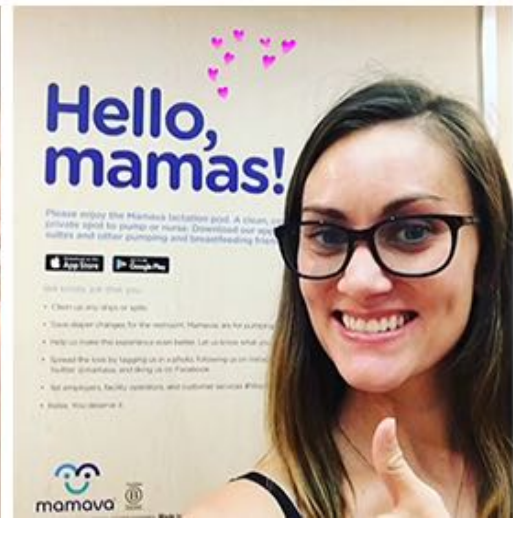
Super easy to unlock and use!

@Mrs.monkey.wife



Today I cried in a Mamava Pod. In that moment, the Mamava pod and those notes gave me strength that I didn't even know I needed.

@themamasagas





Mamava Original
\$14000, plus \$1800 shipping & \$2200 optional installation

26 sq ft, 474 lbs
 7'3" W x 3'7" D x 7'3" H • Door: 35"
Shipping carton: 4'3"W x 8'L x 4'2"H • 755 lbs

- Retractable casters for relocation
- Refrigerator model available



Mamava ADA
\$20500, plus \$2700 shipping & \$2500 optional installation

50 sq ft, 900 lbs
 9'5" W x 5'4" D x 7'3" H • Door: 36"
Shipping carton: 4'5"W x 8'L x 6' H • 1,085 lbs

- 60" turnaround and dual grab bars
- Retractable casters for relocation
- Refrigerator model available



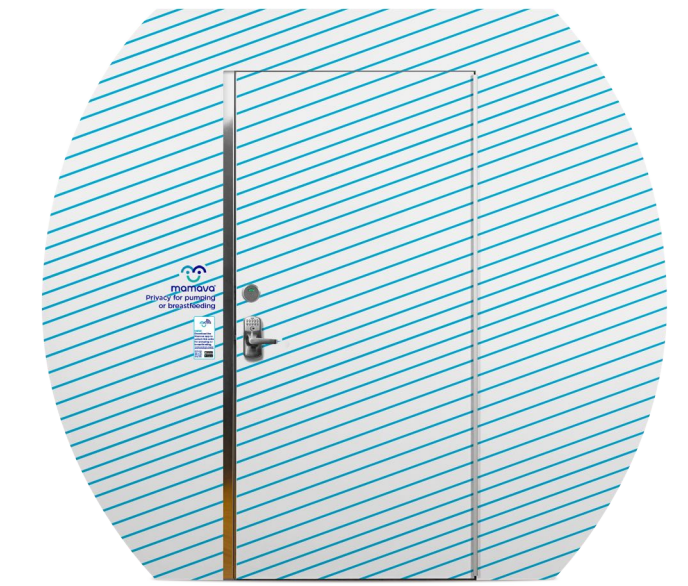
Mamava Solo
\$9995, plus \$1100 shipping & \$1500 optional installation

14.5 sq ft, 390 lbs
 5' W x 2'10" D x 7'3" H • Door: 18"
Shipping carton: TK

- Efficient footprint
- Meet egress requirements in standard 6' hall

- Hospital-grade outlets + USB ports
- UL-approved 20-amp circuit. Draws 4 amps
- Occupies one standard outlet with a 2' electrical cord on back center of unit
- Occupancy-activated lighting and exhaust fan.

- Benches, table, mirror, coat hook
- Surfaces made of food-service grade, solid-surface materials.
- Perforated ceiling for sprinkler pass-through
- Pairs with the Mamava app for Smart Access. Requires dedicated cellular connection



Custom graphics **+\$3000**



Your logo on door **+\$1500**

